

R15L600-MRM2

15" Marine Display



KEY FEATURES

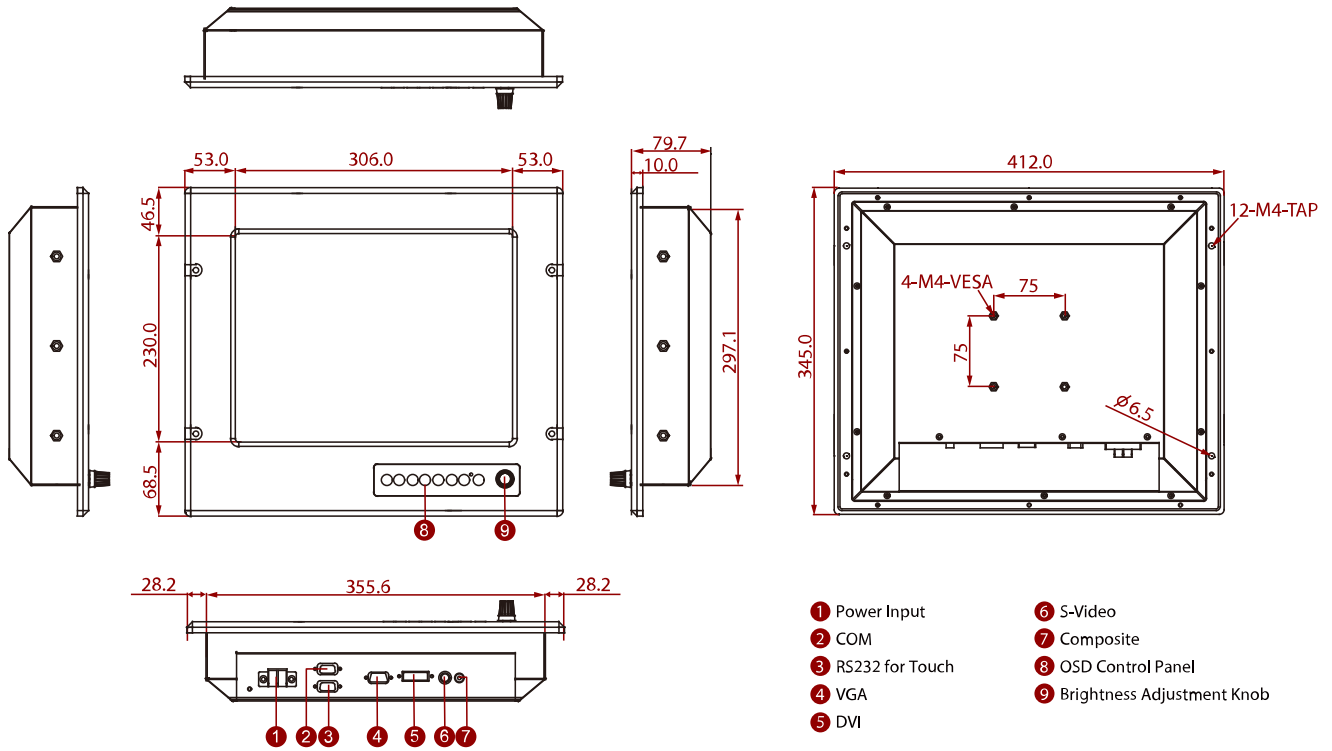
- Dimming knob control backlight brightness from nearly 0% to 100%
- High resolution 1024 x 768 panel
- IP66 aluminum housing with powder coating design (IP54 rear)
- 24V DC to DC power input acceptable (Isolation Resistance)
- High quality touchscreen / AR protection glass for option
- PIP(picture in picture) function and multi-video inputs
- Ease of use front panel OSD control
- Enhanced shock and vibration resistance



SPECIFICATIONS

Display	
Resolution	1024x768
Contrast Ratio	2500:1
Display Color	16.7M Colors
Touch / Glass	Resistive Touch Screen AR Glass (Optional)
Size	15.0 inches
Panel Brightness	500 nits
View Angles	88,88,88,88
Environment	
Operating Humidity	5% to 95%
Operating Temperature	-15~55°C
Shock	15G,11ms duration
Vibration	0.7g@DNVGL CG-0339 (Class A)
IP rating	IP66 (Front Side)
Certification	
Certification	DNVGL-CG-0339, IEC60945 4th, IACS E10, CE, FCC
IO Ports	
Serial Port	1 x RS232 for Remote Control 1 x RS232/USB for Touch Screen
Video	1 x VGA 1 x DVI-D 1 x Composite 1 x S-Video
Mechanical	
Dimension	412 x 345 x 79.7 mm
Mounting	VESA Mount/ Panel Mount
Enclosure	Metal Housing with Aluminum Bezel
Cooling System	Fanless Design
Power	
Power Rating	24V DC-in with Isolation (Approval by Certificate) 9~36V DC Input Accpetable
Accessory	
Accessory	1 x User Manual. 1 x CD for Touchscreen Driver Tools. 1 x DVI Cable. 1 x VGA Cable. 1 x RS232 Serial Cable. 1 x S-Video Cable. 1 x Composite Cable.

DIMENSIONS UNIT:MM



NOTE

1. This is a simplified drawing and some components are not marked in detail.
2. Please contact our sales representative if you need further product information.
3. All specifications are subject to change without prior notice.
4. The product shown in this datasheet is a standard model. For diagrams that contain customized or optional I/O, please contact the Winmate Sales Team for more information.