

# R17L100-MLA1FP

## 17" PCAP Rack Mount Defence Display



### KEY FEATURES

- 17", 1280 x 1024 resolution
- Compliant MIL-STD 810G/ MIL-STD 461E
- Rack mount mechanical design, supports VESA mount
- PCAP multi-touch screen
- Military-grade power connector (MIL-DTL-38999/1)
- AC 100~240V, Universal, ±10%; DC 9~36V, ±10% (Optional)
- Convenient on-screen display controls

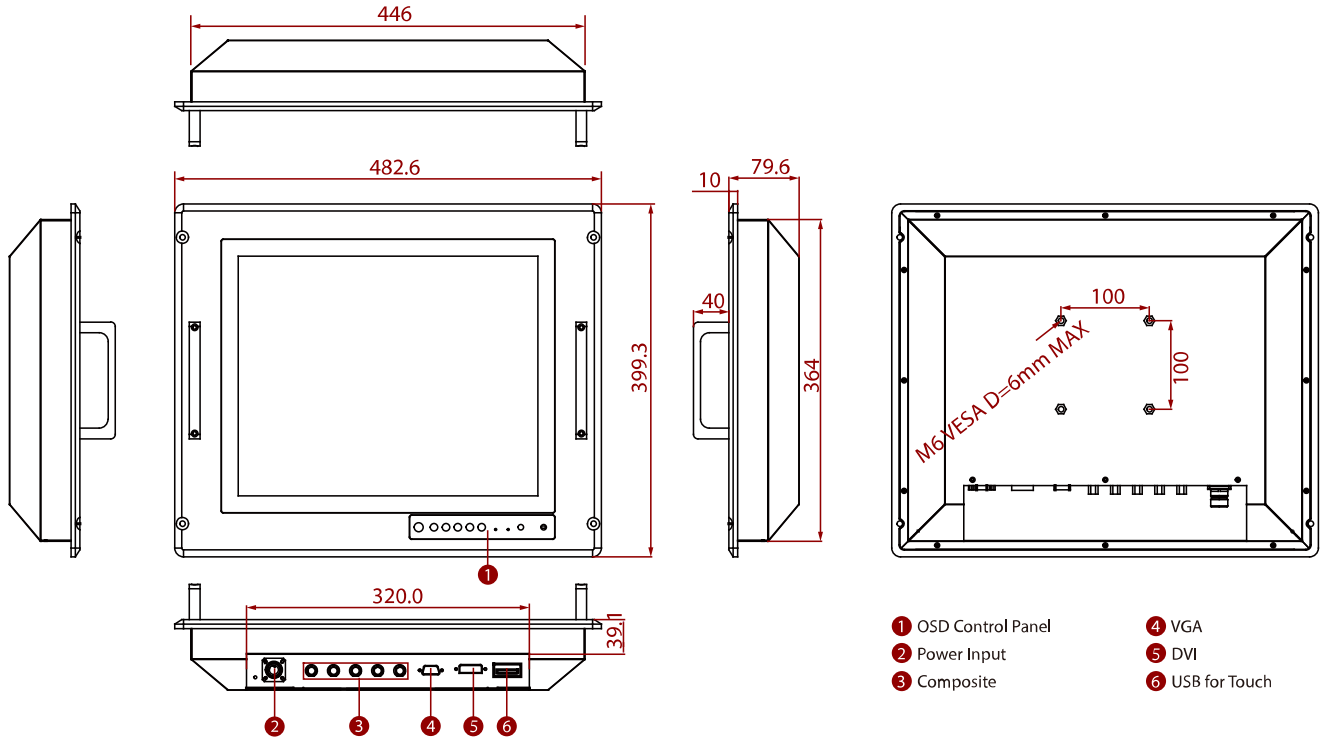


### SPECIFICATIONS

| Display               |  |
|-----------------------|--|
| Resolution            | 1280x1024  |
| Contrast Ratio        | 1000:1   |
| Display Color         | 16.7M Colors   |
| Active Area           | 337.920x270.336 mm   |
| Size                  | 17 inches  |
| Panel Brightness      | 350 nits   |
| View Angles           | 85,85,80,80  |
| Touch / Glass         | Projected Capacitive Multi Touch Screen<br>PCAP with With ITO Flim (Optional)  |
| Environment           |  |
| Operating Humidity    | 10% to 95% RH  |
| Storage Temperature   | -30°C~70°C   |
| Operating Temperature | -20°C~60°C   |
| Compliance            |  |
| MIL-STD 461E/F        | RE101 / RE102<br>CE101 / CE102<br>with EMI Glass / Touch(Optional)<br>RS101 / RS 103<br>CS101 / CS 106 / CS 109 / CS 114 / CS 115 / CS 116 |
| MIL-STD 810F/G        | Vibration Method 514.5<br>Humidity Method 507.4<br>Transit Drop Method516.5  |
| Certification         |  |
| Certification         | CE, FCC  |
| IO Ports              |  |
| USB Port              | 1 x USB for Touch  |
| Video                 | 1 x VGA<br>5 x BNC (R,G,B,H,V)<br>1 x DVI-D  |
| Mechanical            |  |
| Dimension             | 482.6 x 399.3 x 79.6 mm  |
| Enclosure             | Metal Housing with Aluminum Bezel  |
| Mounting              | Rack Mount/ VESA Mount   |
| Cooling System        | Fanless Design   |
| Accessory             |  |
| Accessory             | 1 x User Manual(Hardcopy)<br>1 x Power Cord MIL-DTL-38999/1<br>1 x VGA Cable<br>1 x DVI Cable<br>1 x VGA to 5 BNC Shielding Cable          |

|                     |   |
|---------------------|---|
| <b>Power</b>        |   |
| <b>Power Rating</b> | AC 100~240V, Universal, ±10%<br>DC 9~36V, ±10% (Optional)                                   |
| <b>Control</b>      |   |
| <b>Button</b>       | 7 key:<br>Power<br>Decrease<br>Increase<br>Exit/ Auto<br>Menu<br>Day/ Night<br>Lock/ Unlock |

**DIMENSIONS** UNIT:MM



**NOTE**

1. The product shown in this datasheet is a standard model. For diagrams that contain customized or optional I/O, please contact the Winmate Sales Team for more information.