

# R19IH3S-MRA1FP

19" Intel® Core™ i5-5350U Flat PCAP ECDIS Marine Panel PC



## KEY FEATURES

- 19" 1280 x 1024 resolution with projective capacitive multi-touch screen
- Edge-to-edge narrow bezel design and fanless cooling system
- Color calibrated for ECDIS compliance (Optional)
- Capacitive touch keys for quick function access and display control (Support ECDIS DAY, DUSK, and NIGHT mode switching)
- Optional 4 x COM port (NMEA 0183 protocol) 422/485 switchable via software
- Meet the requirements of Industrial marine standards, including IEC60945 4th Edition, DNVGL-CG-0339, IACS E10
- Support capacitive touch key lock / touchscreen lock function

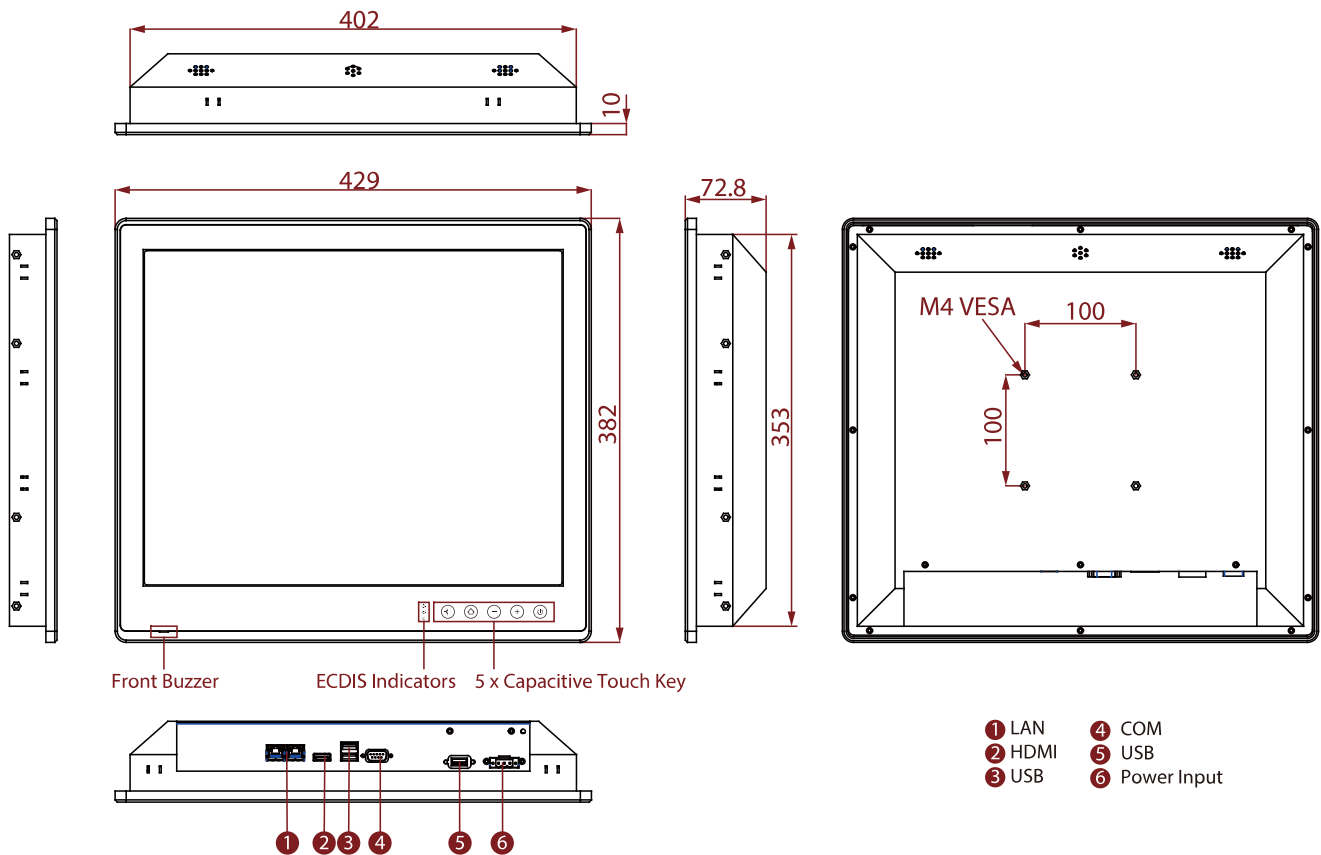


## SPECIFICATIONS

Display			
<b>Resolution</b>	1280x1024	<b>Size</b>	19.0 inches
<b>Contrast Ratio</b>	1000:1	<b>Panel Brightness</b>	400 nits
<b>View Angles</b>	85,85,80,80	<b>Active Area</b>	376.32x301.06 mm
<b>Touch / Glass</b>	Projected Capacitive Multi Touch Screen AR Glass (Optional)		
System Specification			
<b>Processor</b>	Intel® Core™ i5-5350U Processor 1.8GHz (3M Cache, up to 2.90 GHz)	<b>Memory</b>	1 x SO-DIMM, DDR3L 1600 MHz, 4GB 8GB (Optional)
<b>Storage</b>	1 x mSATA SSD 64GB mSATA SSD up to 512GB (Optional)	<b>Ethernet controller</b>	Intel® Ethernet Controller I211-AT+ Intel® Ethernet Connection I218-LM
<b>Operating System</b>	Windows 7 Embedded Systems (Optional) Windows 10 IoT Enterprise (Optional) Linux Ubuntu 18.04 (Optional)		
Environment			
<b>Operating Humidity</b>	5% to 95%	<b>Operating Temperature</b>	-15~55°C
<b>Shock</b>	15G, 11ms duration	<b>Vibration</b>	0.7g@DNVGL CG-0339 (Class A)
<b>IP rating</b>	IP66 (Front Side)		
Certification			
<b>Certification</b>	DNVGL-CG-0339, IEC60945 4th, IACS E10, CE, FCC		
IO Ports			
<b>USB Port</b>	2 x USB3.0 1 x USB2.0	<b>Serial Port</b>	1 x RS232/422/485
<b>Video</b>	1 x HDMI (Optional)	<b>LAN</b>	2 x RJ45
<b>Front Control</b>	Power Brightness + Brightness - Menu Function Key(Default setting: ECDIS Mode)	<b>Indicator</b>	Day Mode Dusk Mode Night Mode
<b>DIDO</b>	8 Channel Isolated Digital Input/Output (Optional)	<b>NMEA</b>	4 x NMEA 0183 Port (Optional)

Mechanical			
<b>Dimension</b>	429 x 382 x 72.8 mm	<b>Mounting</b>	VESA Mount/ Panel Mount
<b>Enclosure</b>	Anodized Aluminum Bezel	<b>Cooling System</b>	Fanless Design
Accessory			
<b>Accessory</b>	Driver CD & User Manual AC to DC Adapter Power Cord 3 pin Terminal Block to DC Jack M4 x 12 Black Screw Bolts	<b>Optional Accessory</b>	Four 5 Pin Terminal Block 3.81 (Phoenix Type)*For NMEA port (Optional)
Power			
<b>Power Rating</b>	24V DC-in with Isolation (Approval by Certificate) 9~36V DC Input Accpetable		

## DIMENSIONS UNIT:MM



## NOTE

1. This is a simplified drawing and some components are not marked in detail.
2. Only 24V DC has been approved by DNVGL certification.
3. Please contact our sales representative if you need further product information.
4. All specifications are subject to change without prior notice.
5. The product shown in this datasheet is a standard model. For diagrams that contain customized or optional I/O, please contact the Winmate Sales Team for more information.