



Features

- 10.1" LCD Display With LED Backlight
- Intel Pentium Quad Core Processor
- Panel Mount, Wall Mount, VESA Mount or Desktop Stand
- Customizable IP65 Rated Front Bezel
- Slim, Fanless Design
- 60601-1 4th Edition Certified

Technical Specifications

Primary Components

Processor Family	Intel Pentium Braswell
Processor Model	N3710
Processor Speed	1.6 GHz
Memory Type	1x DDR3L SO-DIMM
Memory Support	2GB, 4GB, 8GB
Storage type	1x 2.5" SATA Drive Bay for SSD/HDD, mSATA
Storage support	32GB-1TB

Display

Screen Size	10.1"
Resolution	1280 x 800 (WXGA)
Screen Ratio	16:10
Brightness	350 nits
Viewing Angle	170° (H), 170° (V)

Touch Screen

Touch Screen	Projected Capacitive (Multi-touch)
--------------	------------------------------------

Thermal and Environmental

Operating Temperature	Array (32°F – 104°F)
Humidity Range	20% – 90% Non-condensing
Cooling Solution	Passive – Fanless

Enclosure

Material	Plastic
Ip Rating	IP65 Front Bezel
Control Buttons	Audio Down, Audio Up, Brightness Down, Brightness Up, Display on/off, HDD LED, Min-in (optional), Power LED
Vibration Rating	2G, 5Hz – 500Hz, random for SSD
Mounting Options	Desktop Stand, Panel Mount, VESA Mount, Wall Mount

Peripherals & Wireless Connectivity

WiFi	WLAN/GPRS/GSM/4G
RFID	Supports RFID

External I/O ports

USB	2x USB 2.0, 2x USB 3.0
Serial / Com	2x COM
Serial Protocol Detail	1x RS-232/422/485, default RS-232 (COM 1)
Ethernet / LAN	2x RJ45 GbE LAN

Power

Input Voltage Range	9-36V DC
Max Power consumption	40.3W
Standard Power Adapter	100 ~ 240 VAC-DC, 65W power adapter

Operating Systems

Windows	Windows 10 Pro, Windows 8.1 Pro, Windows 7 Pro
---------	--

Expansion Slots

Internal Mini PCIe	1x mSATA, 1x Mini-PCIe
--------------------	------------------------

Dimensions / Weight

Weight	1.08 KG (2.4 lbs)
Dimensions	260.8 x 194.1 x 38 mm (10.3 x 7.6 x 1.5 in)

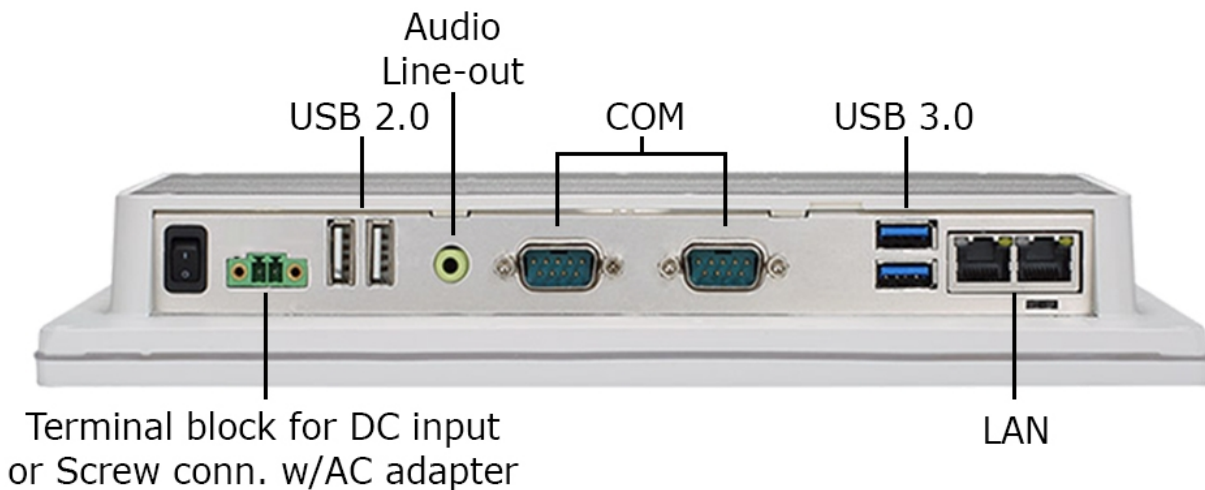
Certification

Certifications	60601-1 4th Edition, CE, FCC
----------------	------------------------------

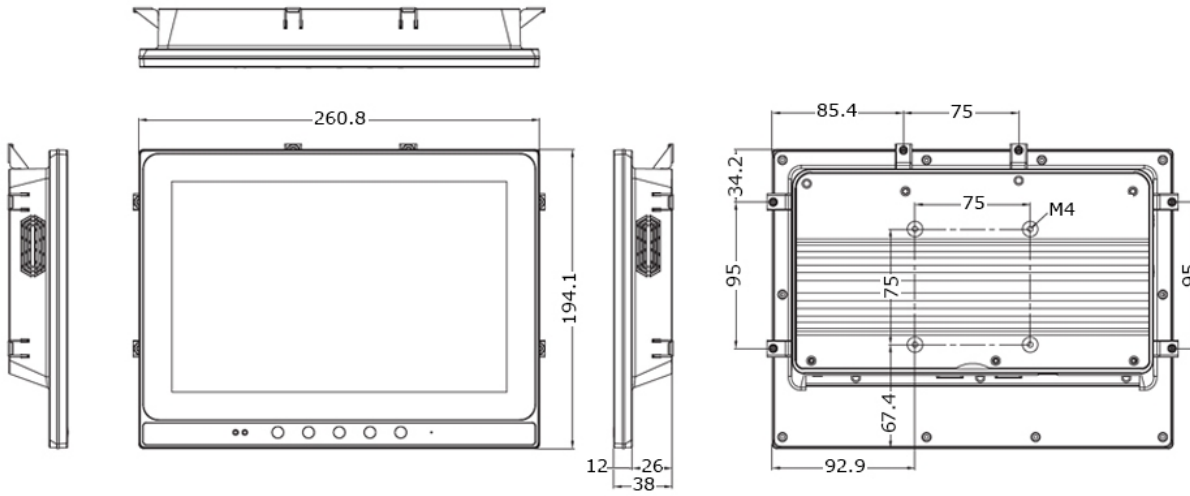
Warranty

Warranty	Up to 5 Years
----------	---------------

Inputs / Outputs



Technical Drawings



All specifications are subject to change without notice.