

W10IB3S-MRH2

10.1" Intel® Celeron® N2930 Flat PCAP Marine Panel PC



KEY FEATURES

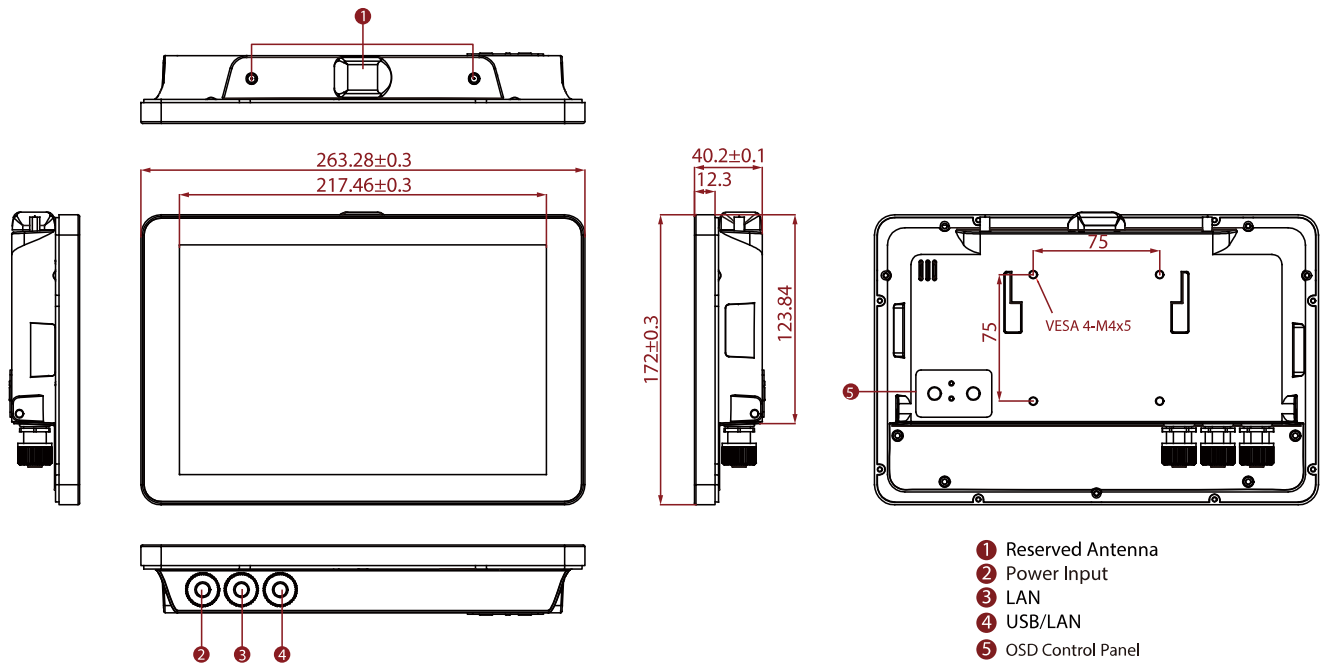
- 1280 x 800 resolution
- P-Cap multi-touch screen
- Front IP65 and full IP44 ratings
- Isolated connectors (M12 type)
- Wireless communications - Wi-Fi, WWAN, GPS (optional)
- Optical bonding with touch screen available on request



SPECIFICATIONS

Display			
Resolution	1280x800	Size	10.1 inches
Contrast Ratio	800:1	Panel Brightness	350 nits
View Angles	85,85,85,85	Touch / Glass	Projected Capacitive Multi Touch Screen
System Specification			
Processor	Intel® Celeron® N2930 (2M Cache, up to 2.16 GHz)	Memory	1 x SO-DIMM, DDR3L 1600 MHz, 4GB 8GB (Optional)
Storage	1 x mSATA SSD 64GB. mSATA SSD up to 512GB. (Optional)	Ethernet controller	2 x Intel® Ethernet Controller I210-AT
Security	TPM 2.0	Operating System	Windows 7 Embedded Systems (Optional) Windows 10 IoT Enterprise (Optional) Linux Ubuntu 18.04 (Optional)
Environment			
Operating Humidity	5% to 95%	Operating Temperature	-15~55°C
Shock	15G,11ms duration	Vibration	0.7g@DNVGL CG-0339 (Class A)
IP rating	IP66 (Front Side)		
Certification			
Certification	IEC 60945 4th Edition (Test Report Available) CE / FCC		
IO Ports			
USB Port	1 x USB2.0 (M12 type)	Serial Port	2 x RS-422 (M12 type)
LAN	1 x Gigabit LAN (M12 type)		
Mechanical			
Dimension	267 x 182 x 55 mm	Mounting	VESA Mount/ Panel Mount
Enclosure	Metal	Cooling System	Fanless Design
Power			
Power Rating	9-36V DC (M12 type)		

DIMENSIONS UNIT:MM



NOTE

1. This is a simplified drawing and some components are not marked in detail.
2. Please contact our sales representative if you need further product information.
3. All specifications are subject to change without prior notice.
4. The product shown in this datasheet is a standard model. For diagrams that contain customized or optional I/O, please contact the Winmate Sales Team for more information.