

# W24L100-MLA2FP

## 23.8" PCAP Rack Mount Military Display



### KEY FEATURES

- 23.8", 1920 x 1080 resolution
- Compliant MIL-STD 810G/ MIL-STD 461E
- Rack mount mechanical design, supports VESA mount
- PCAP multi-touch screen
- Military-grade power connector (MIL-DTL-38999/1)
- AC 100~240V, Universal, ±10%; DC 9~36V, ±10% (Optional)
- Convenient on-screen display controls

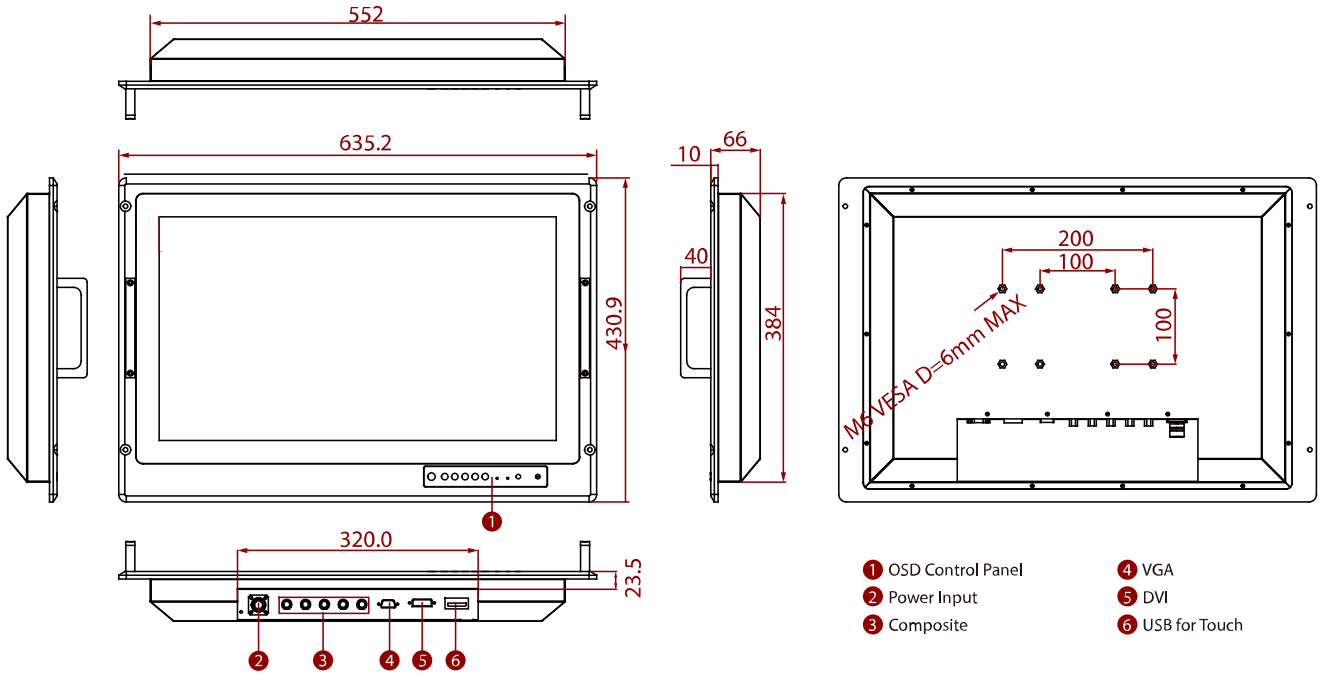


### SPECIFICATIONS

Display	
<b>Resolution</b>	1920x1080
<b>Contrast Ratio</b>	3000:1
<b>Display Color</b>	16.7M Colors
<b>Touch / Glass</b>	Projected Capacitive Multi Touch Screen PCAP with With ITO Flim (Optional)
<b>Size</b>	23.8 inches
<b>Panel Brightness</b>	250 nits
<b>View Angles</b>	89,89,89,89
Environment	
<b>Operating Humidity</b>	10% to 95% RH
<b>Storage Temperature</b>	-10°C~60°C
<b>Operating Temperature</b>	0~50°C
Compliance	
<b>MIL-STD 461E/F</b>	RE101 / RE102 CE101 / CE 101 with EMI Glass / Touch(Optional) RS101 / RS 103 CS101 / CS 106 / CS 109 / CS 114 / CS 115 / CS 116
<b>MIL-STD 810F/G</b>	Vibration Method 514.5 Humidity Method 507.4 Transit Drop Method516.5
Certification	
<b>Certification</b>	CE, FCC
IO Ports	
<b>USB Port</b>	1 x USB for Touch
<b>Video</b>	1 x VGA 5 x BNC (R,G,B,H,V) 1 x DVI-D
Mechanical	
<b>Dimension</b>	635.2 x 430.9 x 66 mm
<b>Enclosure</b>	Metal Housing with Aluminum Bezel
<b>Mounting</b>	Rack Mount/ VESA Mount
<b>Cooling System</b>	Fanless Design
Accessory	
<b>Accessory</b>	1 x User Manual(Hardcopy) 1 x Power Cord MIL-DTL-38999/1 1 x VGA Cable 1 x DVI Cable 1 x VGA to 5 BNC Shielding Cable

<b>Power</b>	
<b>Power Rating</b>	AC 100~240V, Universal, ±10% DC 9~36V, ±10% (Optional)
<b>Control</b>	
<b>Button</b>	7 key: Power Decrease Increase Exit/ Auto Menu Day/ Night Lock/ Unlock

**DIMENSIONS** UNIT:MM



**NOTE**

1. This is a simplified drawing and some components are not marked in detail.
2. If you require an external test report, Winmate will charge an NRE fee.
3. Please contact our sales representative if you need further product information.
4. All specifications are subject to change without prior notice.
5. The product shown in this datasheet is a standard model. For diagrams that contain customized or optional I/O, please contact the Winmate Sales Team for more information.